

**COMMUNICATIONS SITE LICENSE AGREEMENT FOR
VERIZON WIRELESS (VAW) LLC, dba VERIZON WIRELESS,
IN CITY OF GLENDALE RIGHT-OF-WAY**

This Communications Site License Agreement for Verizon Wireless (VAW) LLC, dba Verizon Wireless, in City of Glendale Right-of-Way (“Agreement”) is executed to be effective this ___ day of _____, 2015 (“Effective Date”), between the City of Glendale, an Arizona municipal corporation (“City”), and Verizon Wireless (VAW) LLC, a Delaware limited liability company, dba Verizon Wireless (“Licensee”).

RECITALS

- A. The City is the owner of certain right-of-way located in the City (“Licensed Area”), as more particularly described in the attached Exhibit A.
- B. Licensee desires to install, maintain and operate a “small cell” wireless communications facility (“Small Cell”) in the City’s right-of-way. The equipment includes, but is not limited to communications equipment, antennas, radio amplifiers, radio frequency and optical signal converters, power suppliers and meters, monitoring devices, fiber optic and other cabling, connectors and equipment necessary to serve Licensee’s Small Cell facilities as shown in Exhibit A (collectively, the “Facilities”).
- C. The City is willing to grant the Licensee a license to use the Licensed Area for the operation of the Facilities under the terms of this Agreement, subject to the approval of the Glendale City Council in connection with the public hearing requirements of A.R.S. § 9-551 *et seq.*, and all as implemented by the City’s Project Manager, whose approvals shall not be unreasonably withheld.

AGREEMENT

In consideration of the following mutual covenants, terms and conditions, the Parties agree as follows:

1. LICENSED AREA.

The Licensed Area includes and is limited to the following areas depicted in Exhibit A: i) The area on which the Facilities are located at 6626 West Greenway, or an alternative area in the right-of-way, as approved by the City; and ii) Reasonable access to the Facilities through the public right-of-way.

2. CITY’S REPRESENTATIONS AND WARRANTIES.

- A. The City represents and warrants to the Licensee that: i) the City, and its duly authorized signatory, have full right, power, and authority to execute this Agreement on behalf of the City; ii) the City has good and unencumbered title to

the Licensed Area free and clear of any liens or mortgages, except those disclosed to the Licensee that will not interfere with Licensee's right to use the Licensed Area; and iii) the City's execution and performance of this Agreement will not violate any laws, ordinances, covenants, mortgages, licenses or other agreements binding on the City.

- B. The Licensee has studied and inspected the Licensed Area and accepts the same "AS IS" without any express or implied warranties of any kind, other than those warranties contained in Subsection (2)(A) immediately above, including any warranties or representations by the City as to its condition or fitness for any particular use. The Licensee has inspected the Licensed Area and obtained information and professional advice as the Licensee has determined to be necessary related to this Agreement.

3. GRANT OF LICENSE; TERM.

- A. Nothing in this Agreement will be construed as granting the Licensee the authority to use any property that is owned by any person or entity other than the City.
- B. The initial term of this License Agreement shall be for a period of ten (10) years (the "Initial Term"), commencing on the Commencement Date (as defined in paragraph 4.C below) and ending at 11:59 p.m. on the day immediately preceding the tenth (10th) anniversary thereof, unless sooner terminated as stated herein. This Agreement shall be automatically renewed for no more than three successive five-year Renewal Terms, unless Licensor or Licensee notifies the other party in writing of such party's intent not to renew this Agreement at least one hundred eighty (180) days prior to the expiration of the Initial Term or any Renewal Term, as applicable.
- C. If Licensee continues to occupy the Licensed Area after the expiration or termination of this Agreement, holding over will not be considered to operate as a renewal or extension of this Agreement, but shall be a month-to-month license and the Licensee must pay the City fees in an amount that is double the amount of normal license fee that would otherwise be due under Section 4.
- D. Notwithstanding any provision in this Agreement to the contrary or any negotiation, correspondence, course of performance or dealing, or any other statements or acts by or between the parties, Licensee's rights in the Licensed Area are limited to the rights created by this Agreement. Licensee's rights are subject to all covenants, restrictions, easements, agreements, reservations and encumbrances upon, and all other conditions of title to, the Licensed Area. Licensee's rights under this Agreement are further subject to all present and future building restrictions, regulations, zoning laws, ordinances, resolutions and orders of any local, state or federal agency, now or later having jurisdiction over, the Licensed Area or the Licensee's use of the Licensed Area.

4. LICENSE FEES; COSTS; TAXES.

- A. As of the Commencement Date, Licensee shall pay, without notice and free from all claims, deductions and setoffs against the City, an annual license fee in the amount of \$3,368.00 for one (1) street light attachment, including ground equipment with a “footprint” of up to fifty (50) cubic feet, for Licensee’s Facilities and associated equipment within the Licensed Area, plus all appropriate taxes (see Section 23 below) and on each subsequent anniversary of the Commencement Date during the term of this Agreement, up to and including the expiration or earlier termination thereof (“Pole Attachment Fee”).
- B. The Pole Attachment Fee will increase by three percent (3%) annually on each anniversary of the Commencement Date.
- C. The “Commencement Date” shall be defined as the first day of the month immediately following the Effective Date of this Agreement. The first annual license fee shall be paid within forty-five (45) days following the Commencement Date, and all subsequent annual license fees paid in advance on or before the anniversary of the Commencement Date.
- D. If the Licensee fails to pay any fee in full within ten (10) business days after receipt of written notice of delinquency, the Licensee is responsible for interest on the unpaid principal balance at the rate of 18% per annum from the due date until payment is made in full.
- E. Upon submission of plans in connection with the approval of this Agreement, Licensee shall pay the City a dry utility permit fee in accordance with the City’s Community Development Fee Schedule.
- F. Licensee shall pay the City actual costs for inspections, materials testing and other costs incurred by the City as a direct result of the construction, repair, alteration or relocation of the Facilities. All costs shall be paid in full within thirty (30) days of invoice.

5. UTILITIES.

Licensee is responsible for obtaining and paying for all utilities necessary to operate the Facilities.

6. USE RESTRICTIONS.

- A. Subject to the interference provisions set forth below, Licensee shall at all times use reasonable efforts to minimize any impact that its use of the Licensed Area will have on other users of the Licensed Area.
- B. Licensee shall not remove, damage or alter in any way any improvements or personal property of the City upon the Licensed Area without the City’s prior

written approval. Licensee shall repair any damage or alteration to the City's property caused by Licensee's use of the Licensed Area to the same condition that existed before the damage or alteration, reasonable wear and tear excepted.

- C. Whenever the Licensee performs construction activities within the Licensed Area, the Licensee shall obtain all necessary construction permits and promptly, upon completion of construction, restore the remaining Licensed Area to the condition existing before construction to the satisfaction of the City's Project Manager. If the Licensee fails to restore the Licensed Area as required, the City may take all reasonable actions necessary to restore the Licensed Area, and the Licensee, within thirty (30) days of demand and receipt of an invoice, together with reasonable supporting documentation, will pay all of the City's reasonable costs of restoration.
- D. Licensee shall use the Licensed Area solely for constructing, installing, operating, maintaining, repairing, modifying and removing the Facilities. The Facilities are limited to the equipment and facilities listed on Exhibit A and other items as may be approved by the City, in its sole discretion, in writing.
- E. Licensee shall have a non-exclusive right for ingress and egress, seven (7) days a week, twenty-four (24) hours a day, for the construction, installation, operation, maintenance, modification and removal of the Facilities. In no event shall the City's use of the Licensed Area be unreasonably interrupted by the Licensee's work. Prior to entering upon the Licensed Area for activities that disrupt vehicular and/or pedestrian traffic, the Licensee shall give the Project Manager or designee at least forty-eight (48) hours advance notice in the manner provided in Section 21 of this Agreement or, in the event of emergency repairs, any prior notice as is practical.
- F. Licensee shall at all times have on call and at the City's access, an active, qualified, and experienced representative to supervise the Facilities, and who is authorized to act for the Licensee in matters pertaining to all emergencies and the day-to-day operation of the Facilities. The Licensee shall provide the Project Manager or designee with the names, addresses and 24-hour telephone numbers of designated persons in writing.
- G. In the vicinity of any above-ground facilities Licensee may have in the Licensed Area, Licensee shall keep the Licensed Area maintained, orderly and clean at all times.
- H. Licensee acknowledges that: i) the Licensee's use of the Licensed Area is subject and subordinate to, and shall not adversely affect, the City's use of the Licensed Area; and ii) the City reserves the right to further develop, maintain, repair, or improve the Licensed Area, provided that City shall reasonably cooperate with Licensee to ensure that Licensee's use and operation of the

Distributed Antenna System (DAS) Facilities is not interfered with or interrupted.

- I. Licensee shall not install any signs in the Licensed Area other than required safety or warning signs or other signs necessary for the use of the Licensed Area as requested or approved by the City. Licensee bears all costs pertaining to the erection, installation, maintenance and removal of all of its signs.

7. HAZARDOUS WASTE.

The Licensee shall not produce, dispose, transport, treat, use or store any hazardous waste or toxic substance upon or about the Licensed Area in violation of the Arizona Hazardous Waste Management Act, A.R.S. § 49-901 *et seq.*, the Resource Conservation and Recovery Act, 42 U.S.C. 6901 *et seq.*, the Toxic Substances Control Act, 15 U.S.C. 2601 *et seq.*, or any other federal, state or local law pertaining to hazardous waste or toxic substances. Licensee shall not use the Licensed Area in a manner inconsistent with any regulations, permits or approvals issued by any state agency. City and Licensee acknowledge that Licensee shall be utilizing and maintaining sealed batteries and that Licensee shall use and maintain such batteries pursuant to industry standards and applicable laws. The Licensee shall defend, indemnify and hold the City harmless against any loss or liability incurred by reason of any hazardous waste or toxic substance release on or affecting the Licensed Area to the extent caused by the Licensee, and shall immediately notify the City of any hazardous waste or toxic substance release at any time discovered or existing upon the Licensed Area. Licensee shall promptly and without request provide the City with copies of all written communications between the Licensee and any governmental agency concerning environmental inquiries, reports or problems in the Licensed Area. City shall defend, indemnify and hold Licensee harmless against any loss or liability incurred by reason of any hazardous waste or toxic substance release on or affecting the Licensed Area to the extent caused by City, its employees, agents or representatives.

8. LICENSEE'S IMPROVEMENTS; GENERAL REQUIREMENTS.

- A. The following provisions govern all improvements, repairs, installation and other construction, removal, demolition or similar work of any description by the Licensee related to the Facilities or the Licensed Area (collectively referred to as the "Licensee's Improvements"):
 - i) In no event, including termination of this Agreement for any reason, is the City obligated to compensate the Licensee in any manner for any of Licensee's Improvements or other work provided by the Licensee during or related to this Agreement. The Licensee shall timely pay for all labor, materials and work and all professional and other services related to Licensee's Improvements and defend, indemnify and hold harmless the City against the same;
 - ii) Licensee shall perform all work in a good, workmanlike manner, and shall diligently complete the work in conformance with all building codes

and similar requirements. Licensee's Improvements shall be commensurate with high quality industry standards as approved by the City, which approval shall not be unreasonably withheld, conditioned or delayed;

- iii) Licensee acknowledges that as of the Effective Date of this Agreement, the City has not approved or promised to approve any plans for the Licensee's Improvements, except for those improvements already in place or to the extent expressly stated in this Agreement;
- iv) Licensee shall make no structural or grading alterations, or similar structural modifications or additions or other significant construction work to the Licensed Area without having first received the written consent of the City, which consent shall not be unreasonably withheld, conditioned or delayed. Review shall include all improvements, equipment, fixtures, paint and other construction work of any description as described in all plans delivered by the Licensee to the City. All such plans and construction are subject to inspection and final approval by the City as to materials, design, function and appearance;
- v) Licensee shall keep as-built records of the Licensee's Improvements and furnish copies of records to the City, at no cost to the City, upon completion of improvements and any changes to the same. Licensee shall participate as a member of the Blue Stake Center under A.R.S. § 40-360.21 *et seq.*, regarding underground facilities, and submit proof of participation to the Property Manager upon request;
- vi) All changes to utility facilities shall be limited to the Licensed Area and shall be undertaken by the Licensee only with the written consent of the City, which consent shall not be unreasonably withheld, conditioned or delayed;
- vii) All of the Licensee's Improvements shall, be designed so as to present uniformity of design, function, appearance and quality throughout and consistency with other improvements located in the Licensed Area; and
- viii) Licensee shall properly mark and sign all excavations and maintain barriers and traffic control in accordance with applicable laws, regulations and best management practices.

B. The following procedure governs the Licensee's submission to the City of all plans for the Licensed Area and the Licensee's Improvements, including any proposed changes by the Licensee of previously approved plans:

- i) Licensee shall coordinate with the City as necessary on significant design issues prior to submission of plans;

- ii) Upon execution of this Agreement, the City and the Licensee shall each designate a project manager to coordinate the parties' participation in designing and constructing Licensee's Improvements. Each project manager shall devote time and efforts to the project as may be necessary for timely, good faith and convenient coordination among all persons involved with the project and compliance with this Agreement. The City's Project Manager will not be exclusively assigned to this Agreement or to the Licensee's Improvements;
- iii) No plans are considered finally submitted until the Licensee delivers to the City a formal certification by an engineer licensed in Arizona, acceptable to the Project Manager, to the effect that all of the Licensee's Improvements are properly designed to be safe and functional as designed and as required by this Agreement. The certification shall be accompanied by and refer to any backup information and analysis as the Project Manager may reasonably require;
- iv) No plans are considered approved until stamped "APPROVED" and dated by the City's Project Manager;
- v) Licensee acknowledges that the Project Manager's authority with respect to the Licensed Area is limited to the administration of the requirements of this Agreement. Licensee is responsible to secure all zoning approvals, design revisions or other governmental approvals and to satisfy all governmental requirements pertaining to the project and may not rely on the City or Project Manager to initiate or suggest any particular process or course of action;
- vi) The City's issuance of building permits shall not be considered valid unless the plans have been approved as stated in subsection (iv) above. The City's Project Manager shall be reasonably available to coordinate and assist the Licensee in working through issues that may arise in connection with such plan approvals and requirements;
- vii) The Licensee shall, in the submittal of all plans, allow adequate time for all communications and plan revisions necessary to obtain approvals and shall schedule its performances and revise its plans as necessary to timely obtain all approvals and make payment of all applicable fees;
- viii) Any delay in City's review of or marking Licensee's plans with changes necessary to approve the plans, or approve the revised plans in accordance with the City's normal plan-review procedures, will not be considered approval of the plans but may operate to extend Licensee's construction deadlines. The City agrees to use reasonable efforts to review, mark or approve Licensee's plans in a prompt and timely manner and in conformance with established policies and procedures;

- ix) The Licensee shall provide the City with two (2) complete sets of detailed plans and specifications of the work as completed;
- x) The parties shall use reasonable efforts to resolve any design and construction issues to their mutual satisfaction but, in the event of an impasse for any reason, final decision authority regarding all design and construction issues shall rest with the City in its discretion; and
- xi) Before any construction begins on the Licensed Area, the Licensee shall provide the City with performance bonds, and if considered necessary by the City, payment bonds, in amounts equal to the full amount of the written construction contract pursuant to which such construction is to be done. The payment bond shall be solely for the protection of claimants supplying labor or materials for the required construction work and the performance bond shall be solely for the protection of the City, conditioned upon the faithful performance of the required construction work. Bonds shall be executed by a surety company duly authorized to do business in Arizona, and acceptable to the City and shall be kept in place for the duration of the work.

9. LICENSEE'S INITIAL CONSTRUCTION.

No later than eighteen (18) months after the Effective Date, the Licensee shall install the Facilities in the Licensed Area in accordance with all of the specifications contained in the attached Exhibit A. Equipment already in place from previous authorization will also be reflected in Exhibit A.

10. MAINTENANCE.

- A. The Licensee has, at its own cost, all responsibilities for improvements to and maintenance of the Facilities in the Licensed Area during the term of this Agreement.
- B. Licensee, at its expense, shall use reasonable efforts to minimize the visual and operational impacts of the equipment as required by any City Ordinance, permit, or other permission necessary for the installation or use of the Licensed Area.

11. CO-LOCATION.

- A. Subject to subsection (B) below, the Licensee shall, at all times, use reasonable efforts to cooperate with the City or any third parties with regard to the possible co-location of additional equipment, facilities or structures in and around the Licensed Area ("Co-location"). If a Co-location is feasible, the City may, in its sole discretion, negotiate a Co-location license agreement with any third party on terms as the City considers appropriate, not inconsistent with the rights and obligations of the parties under this Agreement. Licensee's consent

in connection with the final determination of Co-location of a third party is not required, provided that Licensee's operations are not interfered with or interrupted. Any fees or charges paid by an additional Co-locator belong solely to the City.

- B. Prior to permitting the installation of a Co-location by any third party in or around the Licensed Area which may interfere with the Licensee's operations, the City shall give the Licensee forty-five (45) days' notice of the proposed Co-location so that the Licensee can determine if the Co-location will interfere with the Facilities. If the Licensee determines that interference is likely, the Licensee shall, within the notice period, give the City a detailed written explanation of the anticipated interference, including supporting documentation as may be reasonably necessary for the City to evaluate the Licensee's position. The City and the Licensee shall promptly use reasonable efforts to resolve any interference problems before the City permits a Co-location to the third party. If a subsequent licensee is permitted to operate near the Licensed Area, and the subsequent licensee's operations materially interfere with Licensee's Facilities, then the City shall direct the subsequent licensee to remedy the interference within seventy-two (72) hours. If the interference is not resolved within this period, then the City will direct the subsequent licensee to cease its operation until the interference is resolved. These same procedures apply to any interference caused by Licensee with respect to any Co-location existing and as configured prior to the installation of Licensee's Facilities.

12. ASSIGNMENT.

- A. Licensee may assign this Agreement, upon thirty (30) days' written notice to the City, to any person or entity controlling, controlled by or under common ownership with the Licensee or Licensee's parent company, or to any person or entity that, acquires the Licensee's business and assumes all obligations of the Licensee under this Agreement. Other assignments require City approval. For assignments requiring City approval, the City may, as a condition of approval, postpone the effective date of the assignment and require that any potential transferee submit reasonable evidence of its financial ability to fully perform under the terms of this Agreement to the City at least thirty (30) days prior to any transfer of the Licensee's interest, in no event will the City unreasonably withhold, condition, or delay its approval to a proposed assignment.
- B. The Licensee may, upon notice to the City, mortgage or grant a security interest in this Agreement and the Facilities, and may assign this Agreement and the Facilities to any mortgagees, deed of trust beneficiaries or holders of security interests, including their successors or assigns ("Mortgagees"), so long as the Mortgagees agree to be bound by the terms of this Agreement. If so, the City shall execute consent to leasehold or other financing as may be reasonably required by Mortgagees. In no event will Licensee grant or attempt to grant a security interest in any of the real property underlying the Licensed Area.

- C. Subject to subsections (A) and (B) above, Licensee shall not sublease any of its interest under this Agreement, nor permit any other person to occupy the Licensed Area.

13. SECURITY DEPOSIT.

- A. Amount of Security Deposit. Within forty five (45) days of the full execution of this Agreement, Licensee agrees to deliver to City a security deposit in the amount of Two Thousand and No/100 Dollars (\$2,000.00). City shall hold the Security Deposit as security for the performance of the Licensee's obligations under this Agreement.
- B. Use of Security Deposit. City may (but is not required to) without prejudice to any other remedy City has, apply all or part of the Security Deposit to:
 - i) Any Rent, including Base Rent, or other sum in default;
 - ii) Any amount that City may spend or become obligated to spend in exercising City's unconditional rights pursuant to Facilities Removal, Restoration or to remove any and all portions of the Facilities that remain on the Licensed Area by the earlier of thirty (30) days following cessation of Licensee's operations at the Licensed Area, or the Expiration Date of this Agreement; and
 - iii) Any expense, loss, or damage that City may suffer because of Licensee's default.
- C. Refund of Security Deposit. Licensee must remove, to City's satisfaction, all elements of the Facilities and all associated improvements of every kind and nature constructed, erected or placed by Licensee on the Licensed Area by the earlier of the thirty (30) days following cessation of Licensee's operations at the Licensed Area, or expiration date of this Agreement in order to secure refund of any portion of its Security Deposit.

14. REGULATORY AGENCIES, SERVICES, FINANCIALS AND BANKRUPTCY.

- A. The Licensee shall upon request provide to the City:
 - i) All non-proprietary and relevant petitions, applications, communications and reports submitted by the Licensee to the Arizona Corporation Commission, inclusive of any requirements under A.R.S. § 40-441 *et seq.*, or other state or federal authority having jurisdiction that directly relates to Licensee's operations in the Licensed Area;
 - ii) Non-proprietary licensing documentation concerning all services of whatever nature being offered or provided by the Licensee over facilities in the Licensed Area. Non-proprietary copies of responses

from regulatory agencies to the Licensee shall be available to the City upon request. To the extent permitted by Arizona's Public Records Law, A.R.S. § 39-121 *et seq.*, the City will treat all documentation and information obtained pursuant to this Section 14 as proprietary and confidential.

- B. The Licensee shall upon request provide the City copies of any petition, application, communications, or other documents related to any filing by the Licensee of bankruptcy, receivership, or trusteeship.

15. DEFAULT; TERMINATION BY CITY.

- A. The City may terminate this Agreement for any of the following reasons upon thirty (30) days' written notice to Licensee:
 - i) Failure of Licensee to perform any obligation under this Agreement, after Licensee fails to cure default within the notice and cure period. However, if cure cannot reasonably be implemented within the notice period, Licensee must commence and diligently pursue to cure within ninety (90) days of the City's notice.
 - ii) The taking of possession for a period of ten (10) days or more of substantially all of Licensee's personal property in the Licensed Area by or pursuant to lawful authority of any legislative act, resolution, rule, order or decree or any act, resolution, rule, order or decree of any court or governmental board, agency, officer, receiver, trustee or liquidator.
 - iii) The filing of any lien against the Licensed Area, or against the City's underlying real property, due to any act or omission of the Licensee that is not discharged or fully bonded within thirty (30) days of receipt of actual notice by the Licensee.
- B. The City may place the Licensee in default of this Agreement by giving the Licensee fifteen (15) days written notice of the Licensee's failure to timely pay the rent required under this Agreement or any other charges required to be paid by the Licensee pursuant to this Agreement. If Licensee does not cure the default within the notice period the City may terminate this Agreement or exercise any other remedy allowed by law or equity.
- C. If the Licensee, through any fault of its own, at any time fails to maintain all insurance coverage required by this Agreement, the City may, upon written notice to the Licensee, immediately terminate this Agreement or secure the required insurance at Licensee's expense.
- D. Failure by a party to take any authorized action upon default by the other party does not constitute a waiver of the default nor of any subsequent default by the other party. City's acceptance of the License Fee or any other fees or

charges for any period after a default by the Licensee is not considered a waiver or estoppel of the City's right to terminate this Agreement for any subsequent failure by the Licensee to comply with its obligations.

- E. Upon the termination of this Agreement for any reason, all rights of the Licensee terminate, including all rights of the Licensee's creditors, trustees and assigns and all others similarly situated as to the Licensed Area.

16. TERMINATION.

- A. This Agreement may be terminated for any of the following reasons:

- i) By either party upon issuance by a court of competent jurisdiction of an injunction in any way preventing or restraining the Licensee's use of any portion of the Licensed Area and remaining in force for a period of thirty (30) consecutive days.
- ii) By either party upon the inability of the Licensee to use any substantial portion of the Licensed Area for a period of thirty (30) consecutive days due to the enactment or enforcement of any law or regulation or because of fire, earthquake or similar casualty, or Acts of God or the public enemy.
- iii) By either party upon ninety (90) days' written notice, if the Licensee is unable to obtain or maintain any license, permit or governmental approval necessary for the construction, installation or operation of the Facilities or the Licensee's business.
- iv) Provided Licensee is current in all of its financial obligations to the City, by Licensee, for any reason with sixty (60) days' written notice to the City.

- B. In order to exercise the termination provisions above, the party exercising termination must not itself be in default under the terms of this Agreement beyond any applicable grace or cure period and, if not otherwise stated above, provide reasonable written notice to the other party.

17. INDEMNIFICATION.

The Licensee shall defend, indemnify and hold harmless the City and its elected or appointed officials, agents, boards, commissions and employees (hereinafter referred to collectively as the "City" in this Section) from all loss, damages or claims of whatever nature, including attorney's fees, expert witness fees and costs of litigation, that arise out of any act or omission of the Licensee or its agents, employees and invitees (hereinafter referred to collectively as "Licensee" in this Section) in connection with the Licensee's operations in the Licensed Area and that result directly in the injury to or death of any person or the damage to or loss of any property, or that arise out of the failure of Licensee to comply with any provision of this

Agreement. The City shall in all instances, except for loss, damages or claims resulting from the negligence or willful acts of the City, be indemnified by Licensee against all losses, damages or claims. The City shall give the Licensee prompt notice of any claim made or suit instituted that may subject the Licensee to liability under this Section, and Licensee shall have the right to compromise and defend the same to the extent of its own interest. The City shall have the right, but not the duty, to participate in the defense of any claim or litigation with attorneys of the City's selection and at the City's sole cost without relieving the Licensee of any obligations under this Agreement. Licensee's obligations under this Section survive any termination of this Agreement or the Licensee's activities in the Licensed Area.

18. INSURANCE.

- A. The Licensee shall procure and at all times maintain the following types and amounts of insurance for its operations in the Licensed Area:
 - i) Commercial general liability insurance in the minimum amount of \$2,000,000 combined single limit per occurrence for bodily injury and property damage, \$5,000,000 aggregate.
 - ii) Any other insurance, as the City's Project Manager may determine, to be necessary for the Licensee's operations and is commercially reasonable.
- B. Insurance shall:
 - i) Be from a company rated at least A- by AM Best;
 - ii) Name the City as an additional insured on the insurance policy and maintain coverage through the term of the Agreement;
 - iii) Include contractual liability coverage, subject to standard policy provisions and exclusions; and
 - iv) Be primary and non-contributory with respect to all other available sources, as relates to Licensee's negligence.
- C. Licensee shall provide appropriate certificates of insurance to the City for all insurance policies required by this Section. Absence of City request for proof of initial or renewal coverage does not waive any insurance requirements under this paragraph.

19. DAMAGE OR DESTRUCTION / REPLACEMENT POLES.

- A. The City has no obligation to reimburse the Licensee for the loss of or damage to fixtures, equipment or other personal property of the Licensee, except for loss or damage caused by the negligence or fault of the City or its officers,

employees or agents. The Licensee may insure such fixtures, equipment or other personal property for its own protection if it so desires.

- B. Replacement Pole. If the City approves a Licensee proposal to install Antennas on a City-owned pole, then in addition to the other requirements of this Agreement the following shall apply:
- i) Licensee shall provide and deliver to the City a replacement pole (excluding mast arm); so that a replacement is immediately available to City in case the original pole is damaged.
 - ii) If the City uses a replacement pole, then Licensee shall provide another replacement pole.
 - iii) All performance under this paragraph shall be at Licensee's expense. City owns the original pole and all replacement poles.
 - iv) Licensee will provide City with a total of five (5) replacement light poles. Annually, the City may reasonably request additional stock directly in proportion to the number of light pole attachments added by Licensee, but in no event greater than 10% of the total number of Licensee-provided light poles then in City's possession.
 - v) This paragraph does not diminish the plans approval or any other requirement of this Agreement.

20. SURRENDER OF POSSESSION.

Upon the expiration or termination of this Agreement, the Licensee's right to occupy the Licensed Area and exercise the privileges and rights granted under this Agreement shall cease, and it shall surrender and leave the Licensed Area in good condition, normal wear and tear excepted. Unless otherwise provided, all trade fixtures, equipment, and other personal property installed or placed by the Licensee on the Licensed Area shall remain the property of the Licensee, and the Licensee may, at any time during the term of this Agreement, and for an additional period of ninety (90) days after its expiration, remove the same from the Licensed Area so long as Licensee is not in default of any of its obligations, and repairs at its sole cost, any damage caused by the removal. Any property not removed by the Licensee within the 90-day period becomes a part of the Licensed Area, and ownership vests in the City; or the City may, at the Licensee's expense, have the property removed. Licensee's indemnity under this Agreement applies to any post-termination removal operations.

21. NOTICE.

- A. Except as otherwise provided, all notices required or permitted to be given under this Agreement may be mailed by certified mail, return receipt requested, postage prepaid; or sent via national overnight courier to the following addresses:

TO THE CITY: City of Glendale
5850 West Glendale Avenue
Glendale, Arizona 85301
Attention: Project Manager

WITH A COPY TO: City of Glendale
5850 West Glendale Avenue
Glendale, Arizona 85301
Attention: City Attorney

TO THE LICENSEE: Verizon Wireless (VAW) LLC,
dba Verizon Wireless
180 Washington Valley Road
Bedminster, New Jersey 07921
Attn: Network Real Estate

Emergency Contact Phone Numbers:

Licensee NOCC - 800-264-6620

- B. Any notice given by certified mail or overnight courier is considered to be received on the date delivered or refusal to accept. Either party may designate in writing a different address for notice purposes pursuant to this Section.
- C. Under Section 6(E) of this Agreement, all notices of Licensee's intent to enter the Licensed Area shall be provided to the Project Manager, or designee at telephone numbers to be provided to Licensee by separate correspondence upon execution of this Agreement.

22. SEVERABILITY.

If any provision of this Agreement is declared invalid by a court of competent jurisdiction the remaining terms remain effective so long as the elimination of any invalid provision does not materially prejudice either party with regard to its respective rights and obligations. In the event of material prejudice, the adversely affected party may terminate this Agreement.

23. TAXES AND LICENSES.

- A. The Licensee shall pay any leasehold tax, possessory-interest tax, sales tax, personal property tax, transaction privilege tax, use tax or other exaction assessed or assessable as a direct result of its occupancy of the Licensed Area under authority of this Agreement, including any tax assessable on the City. If laws or judicial decisions result in the imposition of a real property tax on the interest of the City as a direct result of Licensee's occupancy of the Licensed Area, the tax shall also be paid by the Licensee on a proportional basis for the period this Agreement is in effect.

- B. The Licensee shall, at its own cost, obtain and maintain in full force and effect during the term of this Agreement all licenses and permits required for all activities authorized by this Agreement.

24. GOVERNING LAW.

This Agreement is governed by the laws of the State of Arizona. If any claim or litigation between the City and the Licensee arises under this Agreement, the successful party is entitled to recover its reasonable attorneys' fees, expert witness fees and other costs incurred in connection with the claim or litigation.

25. RULES AND REGULATIONS.

The Licensee shall at all times comply with all federal, state and local laws, ordinances, rules and regulations which are applicable to its operations and the Licensed Area, including all laws, ordinances, rules and regulations adopted after the Effective Date. The Licensee shall display to the City, upon request, any permits, licenses or other reasonable evidence of compliance with the law.

26. RIGHT OF ENTRY RESERVED.

- A. The City may, at any time, enter upon the Licensed Area for any lawful purpose, so long as the action does not unreasonably interfere with the Licensee's use or occupancy of the Licensed Area. The City shall have access to the Facilities itself only in emergencies.
- B. Without limiting the generality of the foregoing, the City and any furnisher of utilities and other services shall have the right, at their own cost, to maintain existing and future utility, mechanical, electrical and other systems and to enter upon the Licensed Area at any time to make repairs, replacements or alterations that may, in the opinion of the City, be necessary or advisable and from time to time to construct or install over, in or under the Licensed Area systems or parts and in connection with maintenance, use the Licensed Area for access to other parts in and around the Licensed Area. Exercise of rights of access to repair, to make alterations or commence new construction will not unreasonably interfere with the use and occupancy of the Licensed Area by the Licensee.
- C. Exercise of any of the foregoing rights by the City or others pursuant to the City's rights does not constitute an eviction of the Licensee, nor are grounds for any abatement of fees or any claim for damages.

27. RELOCATION.

- A. The City shall not bear any cost of relocation of existing facilities, irrespective of the function served, where the City facilities or other facilities occupying the Licensed Area or right-of-way in close proximity to the Licensed Area, are

already located and the conflict between the Licensee's potential Facilities and existing facilities can only be resolved expeditiously, as determined by the City, by the movement of the existing City or other permitted facilities.

- B. The City shall not bear any cost of relocation of Licensee's Facilities, where in the City's discretion, relocation is reasonable and necessary in connection with City right-of-way repairs, improvements or other capital projects affecting the Licensed Area. City shall provide Licensee no less than one hundred forty-five (145) days advance notice of a requirement to relocate. If the City becomes aware of a potential delay involving the Licensee's relocation, the City shall notify the Licensee within thirty (30) days of becoming aware of the potential delay. The Licensee may object in writing to the determination of relocation to the City's Project Manager within thirty (30) days of receipt of the notice to relocate. The Project Manager shall consider the objection and respond in writing to Licensee within thirty (30) days of receipt of the objection. The Project Manager's determination is final. Notwithstanding the foregoing, if the City issues a permit to a private developer, subsequent to the effective date of this Agreement that requires the relocation, or otherwise disturbs Licensee's Facilities, those costs will be borne by the developer.
- C. If Licensee's relocation effort delays construction of a public project causing the City to be liable for delay or other damages, the Licensee shall reimburse the City for those damages attributable to the delay created by the Licensee. If Licensee disputes the amount of damages attributable to the Licensee, the matter shall be referred to the Dispute Resolution Board as defined below. The Dispute Resolution Board shall consist of one member selected by the City, one member selected by the Licensee, and a third member agreed upon by both parties. The member agreed upon by both parties shall be chairperson of the Dispute Resolution Board. Expenses for the Dispute Resolution Board shall be shared equally by the City and the Licensee. The Board will hear the dispute promptly, and render an opinion as soon as possible, but in no case later than sixty (60) days after notification by the City of Licensee's allocated share of damages suffered by the City. All decisions of the Dispute Resolution Board are non-binding on the City and Licensee; however the findings of the Dispute Resolution Board shall be admissible in any legal action. The City and the Licensee shall accept or reject findings of the Dispute Resolution Board within thirty (30) days after receipt of the findings. If damages are assessed by the Dispute Resolution Board, and accepted by the City and the Licensee, the Licensee shall pay the City within thirty (30) days. If the Licensee fails to pay the damages in full within thirty (30) days the Licensee is responsible for interest on the unpaid balance at the rate of 18% per annum from that date until payment is made in full. Nothing herein prevents a mutual agreement between the City and the Licensee to use alternative dispute resolution for disputes related to other Agreement provisions.

28. CONFLICTS OF INTEREST.

This Agreement may be cancelled for conflicts of interest as described under A.R.S. § 38-511.

29. MISCELLANEOUS.

This Agreement constitutes the entire agreement between the parties concerning the subject matter stated and supersedes all prior negotiations, understandings and agreements between the parties concerning those matters. This Agreement shall be interpreted, applied and enforced according to the fair meaning of its terms and not be construed strictly in favor of or against either party, regardless of which party may have drafted any of its provisions. No provision of this Agreement may be waived or modified except by a writing signed by the party against whom the waiver or modification is sought to be enforced. Electronic signature blocks do not constitute a signature for purposes of this Agreement. This Agreement may be executed in any number of counterpart copies, each of which shall be deemed an original, but all of which together shall constitute a single instrument. The terms of this Agreement are binding upon and inure to the benefit of the parties' successors and assigns.

[Signatures on the following pages.]

EXECUTED to be effective as of the date shown above.

CITY OF GLENDALE, an Arizona
municipal corporation

Richard A. Bowers
Acting City Manager

ATTEST:

Pamela Hanna (SEAL)
City Clerk

APPROVED AS TO FORM:

Michael D. Bailey
City Attorney

Verizon Wireless (VAW) LLC,
dba Verizon Wireless

By: _____
Brian Mecum
Its: Area Vice President Network
Date: _____

EXHIBIT A

(see attached)



verizon wireless

SITE NAME: PHO_CACTUS-HS_SC (SMALL CELL)



SITE PHOTO

SHEET INDEX

- T-1 PROJECT INFORMATION AND DATA
- T-2 SITE PLAN
- T-3 ELECTRICAL PLAN
- T-4 ANTENNA LOCATION

CLIENT

VERIZON WIRELESS
1200 W. GEMINI DR.
TEMPE, AZ 85283
PROJECT NO. 1000000000000000

PROJECT DATA

1000000000000000
VERIZON WIRELESS
1200 W. GEMINI DR.
TEMPE, AZ 85283
PROJECT NO. 1000000000000000
CITY OF GLENDALE
2500 N. GLENDALE AVE.
GLENDALE, AZ 85283
PHONE: 602-955-5555

PROPERTY OWNER

CITY OF GLENDALE
2500 N. GLENDALE AVE.
GLENDALE, AZ 85283
PHONE: 602-955-5555

SITE ADDRESS

1200 W. GEMINI DR.
TEMPE, AZ 85283
PROJECT NO. 1000000000000000

PROJECT DESCRIPTION

THE PROJECT CONSISTS OF THE INSTALLATION OF A SMALL CELL ON THE ROOF OF THE BUILDING AT 1200 W. GEMINI DR., TEMPE, AZ 85283. THE INSTALLATION LIGHT POLE FACILITY IS UNLICENSED AND NOT TO BE USED FOR ANY OTHER PURPOSE.

DATE

0 2/1/2015
DESCRIPTION: INITIAL

PROJECT INFORMATION

ARCHITECTS: URS INC.
YDC-80863

TITLE SHEET

PHO_CACTUS-HS_SC
1200 W. GEMINI DR.
TEMPE, AZ 85283
SHEET TITLE: TITLE SHEET

JUSTIFICATION REFERENCE

SHEET NUMBER

T-1

CLIENT

verizon wireless
1200 W. GEMINI DR.
TEMPE, AZ 85283

INTERNAL REVIEW _____ DATE _____
CONSTRUCTION SIGNATURE _____
SITE SIGNATURE _____
EXCUTIVES SIGNATURE _____

REAL ESTATE SIGNATURE _____
PLANS PREPARED BY

young design corp
project management
10151 E. LINDA, SUITE 200
PH: 480 401 9809 fax: 480 451 9808
e mail: corporate@youngdesign.com

This drawing is copyrighted and the property of Young Design Corp. No part of this drawing may be reproduced, stored in a retrieval system, or transmitted in any form or by any means, electronic, mechanical, photocopying, recording, or by any information storage and retrieval system, without the prior written permission of Young Design Corp.

THE STATE OF ARIZONA
COUNTY OF MARICOPA
REGISTERED PROFESSIONAL ENGINEER
NO. 10151
EXPIRES 12/31/2015

DATE: 2/1/2015
DESCRIPTION: INITIAL

PROJECT INFORMATION

ARCHITECTS: URS INC.
YDC-80863

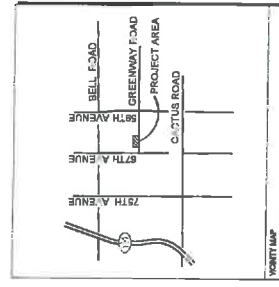
TITLE SHEET

PHO_CACTUS-HS_SC
1200 W. GEMINI DR.
TEMPE, AZ 85283
SHEET TITLE: TITLE SHEET

JUSTIFICATION REFERENCE

SHEET NUMBER

T-1



CLIENT



verizon wireless
128 W. GEMINI DR.
TEMPE, AZ 85283

INTERNAL REVIEW	DATE
CONSTRUCTION SIGNATURE	
OFF SIGNATURE	
FACILITIES SIGNATURE	
REAL ESTATE SIGNATURE	
PLANS PREPARED BY	

young design corp
architects / project management
10215 E. 1st Ln, Suite 100, Scottsdale, AZ 85258
PH: 480.451.8809 FAX: 480.451.9848
www.youngdesigncorp.com

Professional Engineer
STATE OF ARIZONA
No. 12345
Name: JOHN D. SMITH
Exp. 12/31/2015

NO.	DATE	DESCRIPTION
0	2/11/2015	ISSUED FOR PERMITS

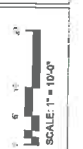
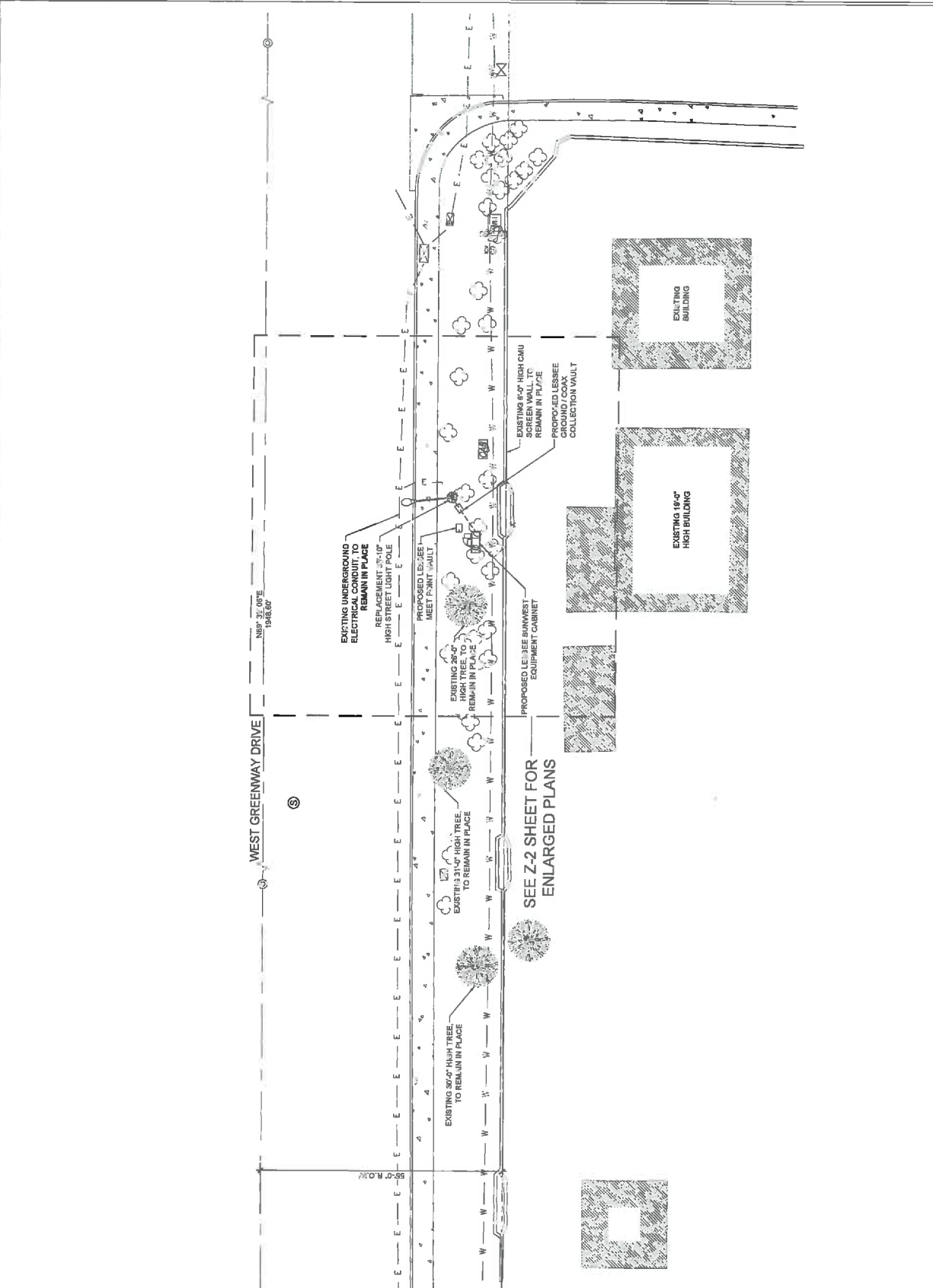
ARCHITECTS: JDC P.C.
YDC-6063

PROJECT INFORMATION
PHO_CACTUS-HS_SC
6605 W. GREENWAY RD.
GLENDALE, AZ 85302

SHEET TITLE
OVERALL SITE PLAN

APPROVED FOR SUBMISSION APPROVAL

SHEET NUMBER
Z-1



1 SITE PLAN
Z-1
SCALE: 1" = 10'-0"
APR 14

verizon wireless
126 W. GEMINI DR.
TEMPE, AZ 85283

CLIENT: _____ DATE: _____

CONSTRUCTION SIGNATURE: _____

RF SIGNATURE: _____

FACILITY SIGNATURE: _____

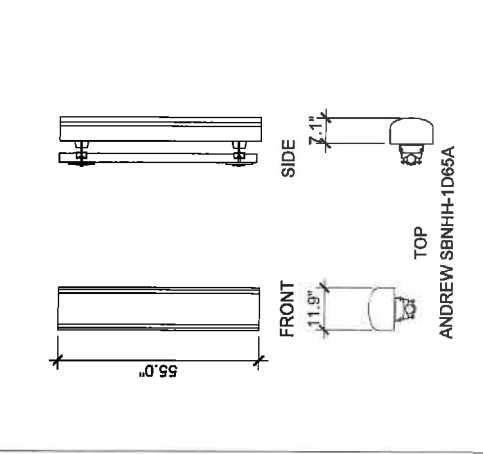
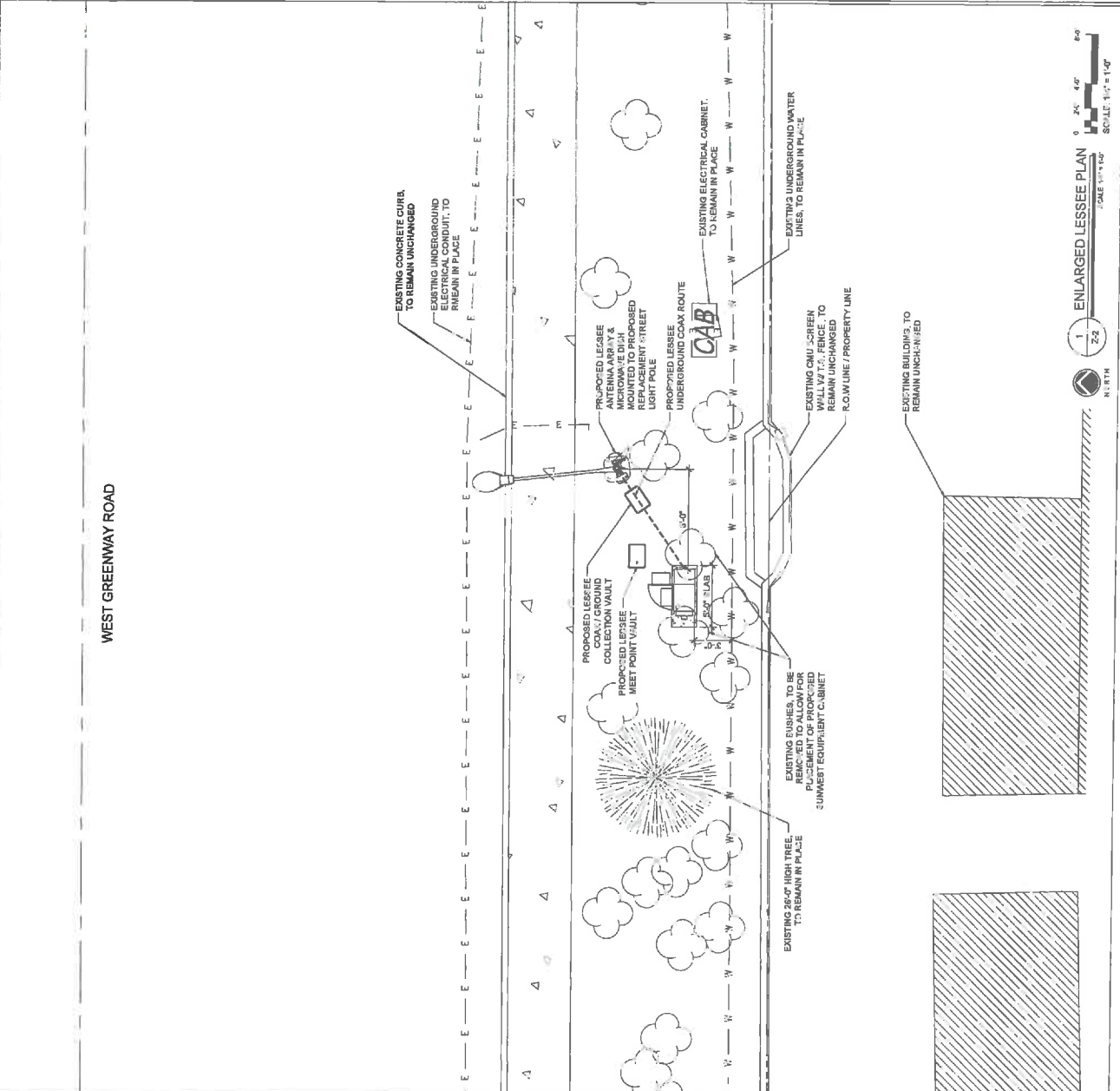
REAL ESTATE SIGNATURE: _____

PLANS PREPARED BY: **young design corp**
architectural / project management
11045 E. WINDY LANE, SUITE 100, SCOTTSDALE, AZ 85258
PH: 480-331-8830 FAX: 480-451-8868
www.youngdesigncorp.com

THIS DRAWING IS UNLAWFUL TO REPRODUCE OR TRANSMIT IN ANY FORM OR BY ANY MEANS, ELECTRONIC OR MECHANICAL, WITHOUT PERMISSION BY YOUNG DESIGN CORP. (YDC)

PROJECT: PHO_CACTUS-HS_SC
SHEET TITLE: ENLARGED SITE PLAN
SUBMISSION APPROVAL: _____

SHEET NUMBER: **L-2**

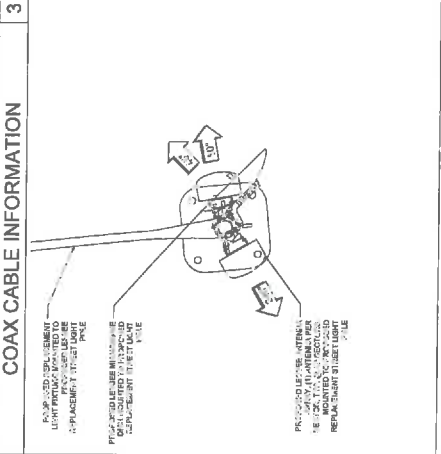


ANTENNA DETAIL 4

COAXIAL CABLE TABLE

SECTOR	DIAMETER	LENGTH	QTY.	SIZE	TYPE
ALPHA	80"	± 47'-0"	4	1/2"	T.B.D.
BETA	240"	± 47'-0"	4	1/2"	T.B.D.
BRAV	43"	± 0'-0"	1	1/2"	ECS

NOTE:
ALL DIMENSIONS SHOWN ARE RELATIVE TO TRUE NORTH, UNLESS NOTED OTHERWISE.
IT SHALL BE THE CONTRACTOR'S RESPONSIBILITY TO VERIFY DIMENSIONS DEPICTED HEREIN WITH RF DEPARTMENT PRIOR TO INSTALLING ANTENNAS.



NEW ANTENNA CONFIGURATION 2

ENLARGED LESSEE PLAN
SCALE: 1/4" = 1'-0"

1 2/2

SCALE: 1/4" = 1'-0"

CLIENT

DATE

CONSTRUCTION SIGNATURE

OWNER SIGNATURE

FACILITIES SIGNATURE

REAL ESTATE SIGNATURE

PLANS PREPARED BY

SA Young & Design Corp

10245 E Via Linda, Suite 1000
Phoenix, AZ 85028
PH: 480 451 9800 Fax: 480 451 8108
e mail: corporate@saonline.com

SA Young & Design Corp
Professional Seal
REGISTERED PROFESSIONAL ENGINEER
NO. 12166
STATE OF ARIZONA
EXPIRES 12/31/2015

THIS DRAWING IS THE PROPERTY OF SA YOUNG & DESIGN CORP. NO PART OF THIS DRAWING IS TO BE REPRODUCED OR TRANSMITTED IN ANY FORM OR BY ANY MEANS, ELECTRONIC OR MECHANICAL, INCLUDING PHOTOCOPYING, RECORDING, OR BY ANY INFORMATION STORAGE AND RETRIEVAL SYSTEM, WITHOUT THE WRITTEN PERMISSION OF SA YOUNG & DESIGN CORP.

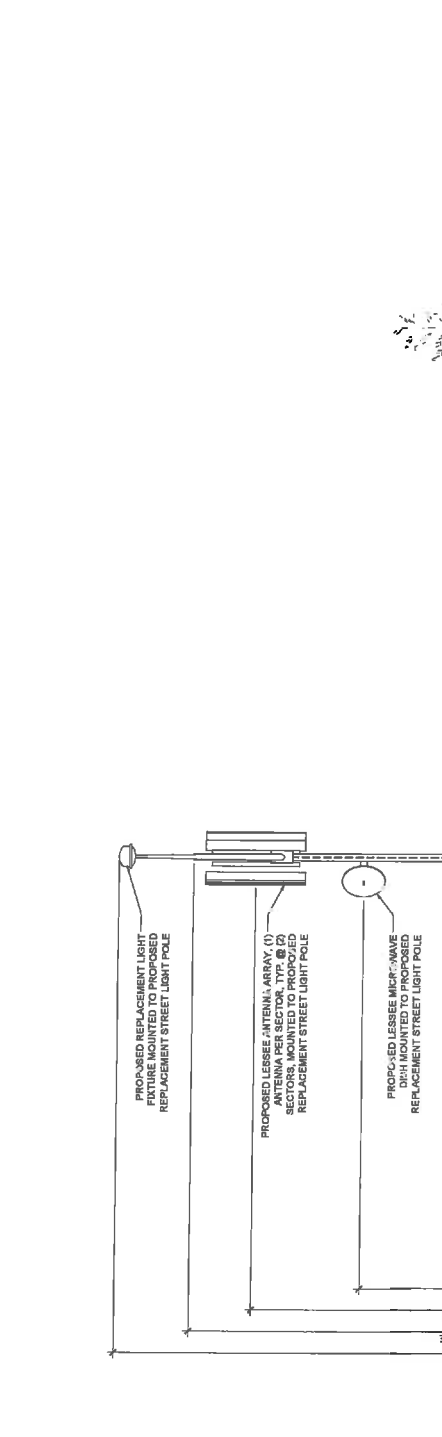
NO. 001
DATE: 2/11/2015
SUBMITTED: []
PRELIMINARY (PLEASE NOTE)

ARCHITECTS JOB NO. YDC-8083
PROJECT INFORMATION

PHO_CACTUS-HS_SC
6581W GREENWAY RD
GLENDALE, ARIZONA

SHEET TITLE ELEVATIONS
CONSTRUCTION APPROVAL

SHEET NUMBER Z-3



1 PROPOSED NORTH ELEVATION
SCALE: 1/8" = 1'-0"

DATE: 2/11/2015

SCALE: 1/8" = 1'-0"

SHEET NUMBER Z-3

DATE: 2/11/2015

CLIENT

verizon wireless
126 W. GEMINI DR.
TEMPE, AZ 85283

INTERNAL REVIEW _____ DATE _____

CONSTRUCTION SIGNATURE _____

RF SIGNATURE _____

FACILITIES SIGNATURE _____

REAL ESTATE SIGNATURE _____

WORKS PREPARED BY _____

Young & design corp
 architecture / 10145 E. W. Linda, Scottsdale, AZ 85258
 phone: 480 451 8809 fax: 480 451 8808
 e-mail: corporate@yandc.com

This drawing is prepared and the property of Young & Design Corp. It is to be used only for the project and site specifically mentioned herein. No other use, reproduction or distribution is permitted without written permission from Young & Design Corp.



THE BOARD OF ENGINEERS AND ARCHITECTS
 STATE OF ARIZONA
 REGISTERED PROFESSIONAL ENGINEER
 LICENSE NO. 10145
 EXPIRES 12/31/2015

NO.	DATE	DESCRIPTION	INITIALS
0	2/11/2015	PRELIMINARY DESIGN SHEET	

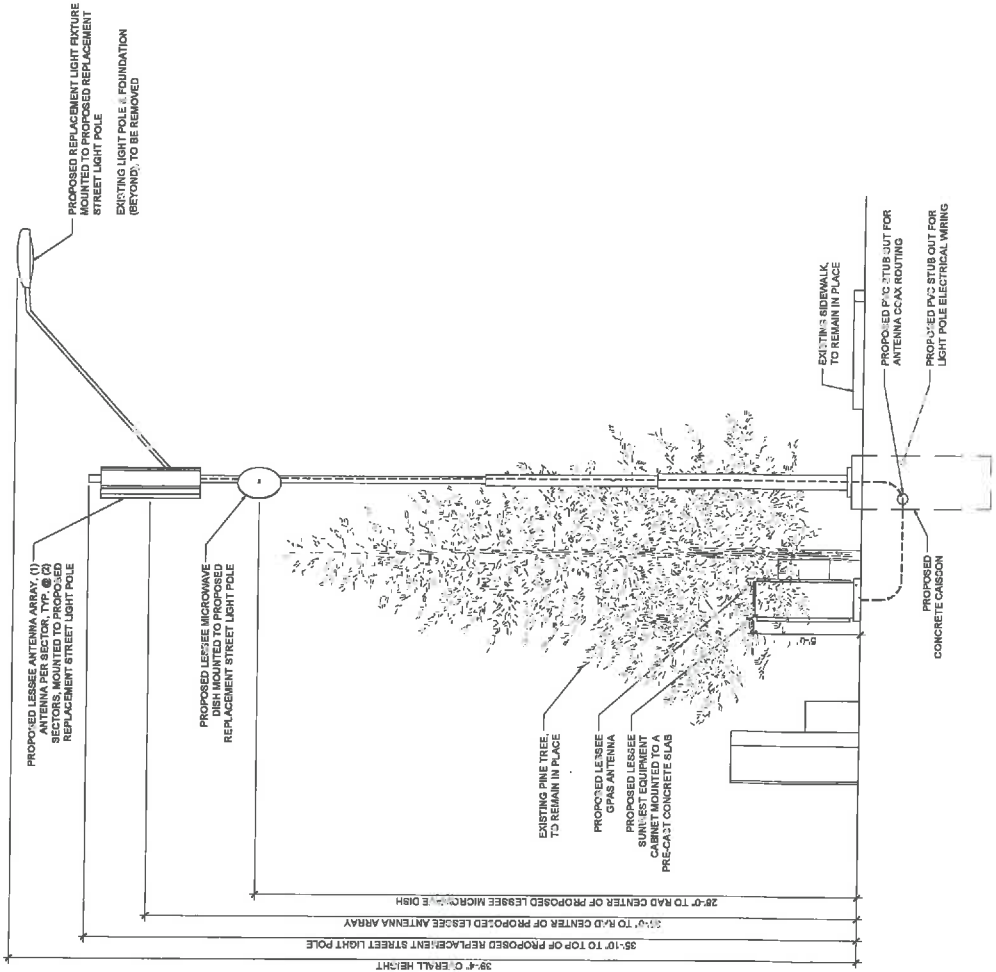
PROJECTS JOB NO. YDC-8063
 PROJECT # YDC-8063

PHO_CACTUS-HS_SC
 6520 W. GREENWAY RD
 GLENDALE, AZ 85301

SHEET TITLE
ELEVATIONS

CONSTRUCTION APPROVAL _____

SHEET NUMBER
Z-4



1 PROPOSED EAST ELEVATION
 SCALE: 1/8" = 1'-0"
 Z-4

EXHIBIT B

(see attached)

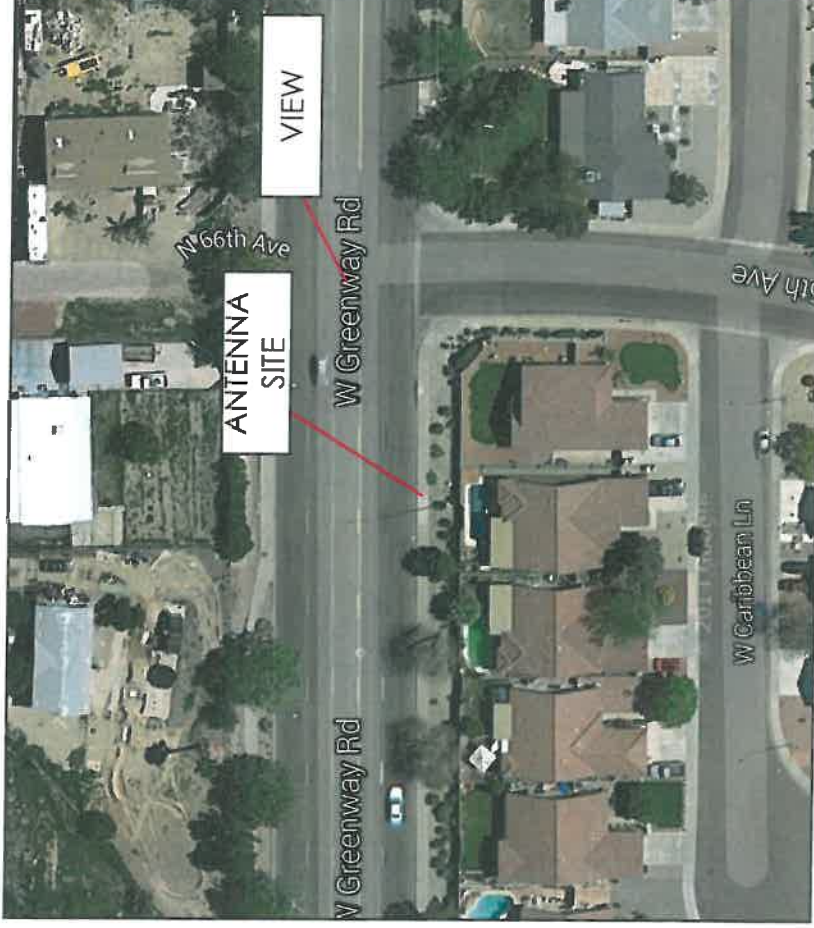
PHOTOGRAPHIC SIMULATION

PROPOSED WIRELESS COMMUNICATIONS FACILITY



SITE NAME: PHO_CACTUS-HS SC
SITE LOCATION: 6626 W. GREENWAY RD.
GLENDALE, AZ 85302
DATE: 2/3/2015
APPLICANT: SHAW AND ASSOCIATES
1222 W. CAVEDALE DR.
PHOENIX, AZ 85085
CONTACT: RICHARD SHAW, ESQ.
(480) 204-1843

SITE LOCATION MAP



2015 GOOGLE MAPS

The included Photograph Simulation(s) are intended as visual representations only and should not be used for construction purposes. The materials presented within the included Photograph Simulation(s) are subject to change.



EXISTING VIEW -
LOOKING SOUTHWEST

PHOTOGRAPHIC SIMULATION -
LOOKING SOUTHWEST



PROPOSED REPLACEMENT 35'10" UTILITY POLE AND INSTALLATION OF MOUNTED LESSEE ANTENNA ARRAY AND MICROWAVE DISH. OVERALL HEIGHT: 39'4". ADDITION OF SOUTHWEST EQUIPMENT CABINET.

